

GO



Lift up to
1 kg with
nanometer
resolution

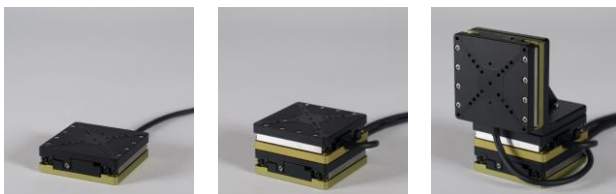
PRECIBEO GO Linear Stages

Precise & Powerful Linear Stages

Nanometer Resolution Motion for Science & Industry

The PRECIBEO GO Linear Stages move with nanometer precision over centimeter distances, lift up to 1 kg and are self-locking at rest.

The PRECIBEO GO Linear Stages come with an integrated position sensor and are designed for delivering the precision, load capacity and ease of use needed for fast and simple set up.



Choose one, two, three or more linear or rotation stages and seamlessly create your multi axis system. Plug the stage cable connectors into the PRECIBEO GO Controller and you are ready to GO!

Modular Multi Axis System

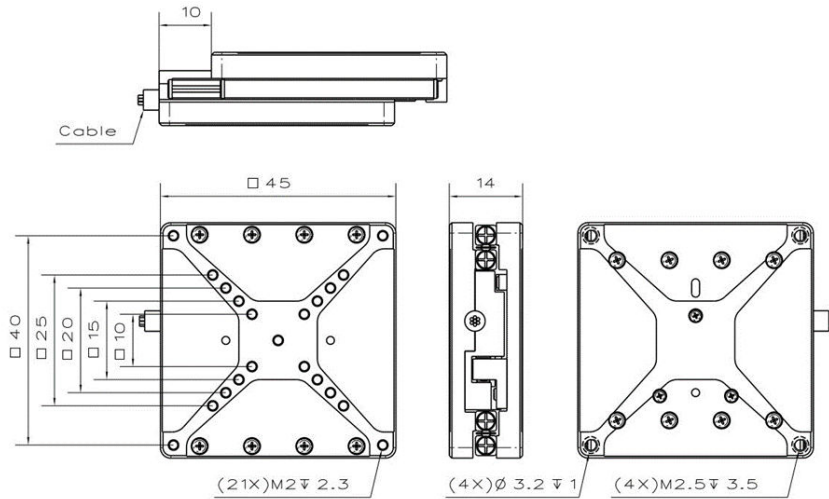
- 5 N or 10 N Push / Pull Force
- Lifts up to 0,5 kg @ 5 mm/s and 1 kg @ 1 mm/s
- 2 nm Minimum Incremental Motion
- Smooth Continuous Motion
- Fast Step & Settling Times
- Self-Locking at Rest



PRECIBEO AB
Axel Johanssons Gata 4
SE-75450 Uppsala
SWEDEN

Tel. +46 18 700 13 40
sales@precibeo.com
www.precibeo.com

 **PRECIBEO**
MAKING PRECISION AVAILABLE



Technical Specification

MODEL	4545-5N	4545-10N	6545-5N	6545-10N	8545-5N	8545-10N	
POSITIONING							
TRAVEL (X)	20 mm		35 mm		50 mm		
POSITION SENSOR	Optical						
SENSOR RESOLUTION	2 nm						
MIN INCREMENTAL MOTION	2 nm						
BIDIRECTIONAL REPEATABILITY	+/- 100 nm (typ. @ full travel)						
STRAIGHTNESS & FLATNESS	+/- 2 µm (typ.)						
PITCH	+/- 150 µrad (typ.)						
YAW	+/- 150 µrad (typ.)						
MOTION							
MAX OPERATING FORCE (LIFT)	5 N	10 N	5 N	10 N	5 N	10 N	(min.)
HOLDING FORCE (@NO POWER)	6 N	11 N	6 N	11 N	6 N	11 N	(min.)
MAX SPEED (@NO LOAD)	8 mm/s	8 mm/s	8 mm/s	8 mm/s	8 mm/s	8 mm/s	
MAX SPEED (@MAX FORCE)	5 mm/s	1 mm/s	5 mm/s	1 mm/s	5 mm/s	1 mm/s	(min.)
DRIVE TYPE	Piezo Drive						
MOTOR TYPE							
MECHANICAL							
MAX LOAD	2 kg						
GUIDE TYPE	Crossed Roller Bearings						
SIZE	45x45x14 mm		65x45x14 mm		85x45x14 mm		
WEIGHT (W/O CABLE)	75 g (+/-10%)		105 g (+/-10%)		135 g (+/-10%)		
MISCELLANEOUS							
CABLE	2 m cable (+/-5%) with ix Industrial™ connector						
MATERIAL	Anodized Aluminum						

Order Information

Please contact us by phone (+46 18 700 13 40) or email (sales@precibeo.com) for any enquiries.

PRODUCT	DESCRIPTION
GO-LS4545-5N/10N	One GO Stage LLS4545 with Cable and Connector including: <ul style="list-style-type: none"> 4 M2 screws for mounting the stage to a substrate.
GO-LS6545-5N/10N	One GO Stage LLS6545 with Cable and Connector including: <ul style="list-style-type: none"> 4 M2 screws for mounting the stage to a substrate.
GO-LS8545-5N/10N	One GO Stage LLS8545 with Cable and Connector including: <ul style="list-style-type: none"> 4 M2 screws for mounting the stage to a substrate.

Disclaimer: Specifications of the product do not constitute a warranty of the properties. They are intended for information purposes only and are subject to change.